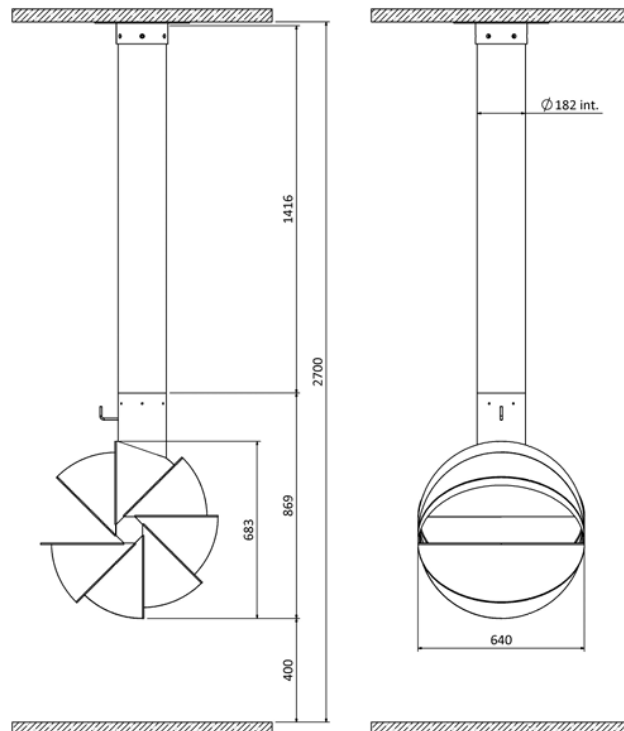




TECHNICAL DATA SYDNEY



Ecodesign	No
HRP. Heat-resistant Paint	Ok
Finish RAL color	No
Outside air intake \emptyset	Opt
Rotating System	Opt
Combustion	Wood
Wall mount bracket	No
Conexión \emptyset tubo	H 180
Connection \emptyset pipe	No
Net weight in kg	80
Gross weight in kg	100
Approximate packaging	1000 x 1000 x 1700 mm
CO (mg/Nm ³)	-
Nox (mg/Nm ³)	-
VOC (mg/Nm ³)	-
Performance(%)	33%
Power (kW)	8,9 kw
Particles (mg/Nm ³)	-
Average Smoke Temperature	-
Mass Flow	-
Minimum Safety distance (mm)	1500 mm



T:+34 93 459 87 01
<https://www.traforart.net>
traforart@traforart.net

TRAFORART